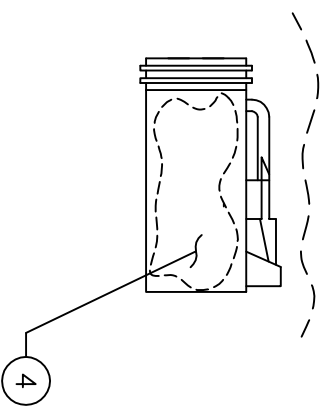
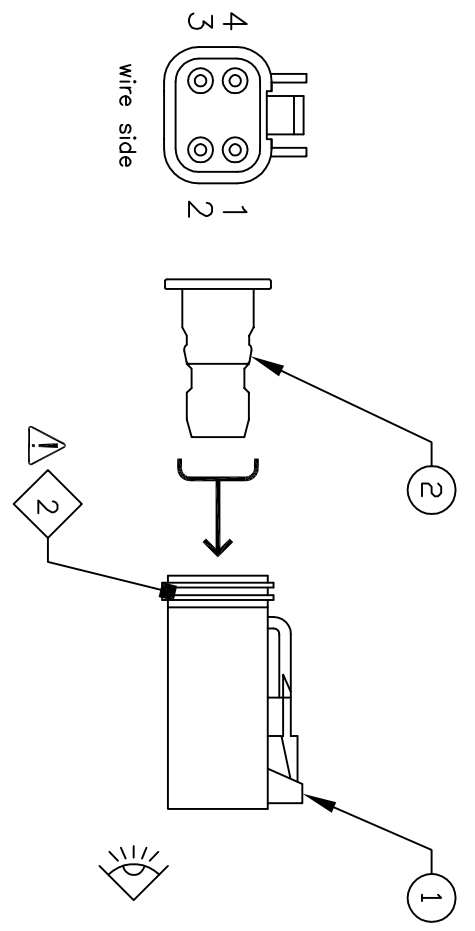


DATE	SYM	REVISION RECORD	BY:	DCN
APR 11 16	A	RELEASE TO PRODUCTION	SCS	D857
JUL 20 16	B	UPDATES TO NOTES	SCS	D919
NOV 11 20	C	REMOVE SOCKETS	SCS	F428



J1	DESCRIPTION
1	-
2	-
3	-
4	-

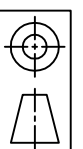
ITEM NO.	PART NO.	DESCRIPTION	QTY.
1.	134-1000-00604	DEUTSCH DT06-4SA (GREY)	1
2.	134-16A0-00004	DEUTSCH W4S WEDGELCK	1
3.	-	-	-
4.	117-125	RTV, BLACK	.001
5.	-	-	-

DATA PANEL CORP.

CUSTOMER: XXX
 MATE: SEE NOTE
 FINISH: SEE NOTE
 TITLE: PORT SEALING PLUG

DATE: APR 11 16
 DRAWING NUMBER: 34042-401
 REV: C

TOLERANCES EXCEPT NOTED
 DECIMAL ± .010
 FRACTIONAL ± 1/32
 ANGULAR ± 1°



- NOTES:
- REMOVE THE RUBBER GASKET FROM INSIDE THE CONNECTOR AND DISCARD THIS RUBBER GASKET.
 - DO NOT REMOVE THE OUTSIDE GASKET!
 - ASSEMBLE SOCKETS TO ALL FOUR LOCATIONS.
 - ASSEMBLE WEDGELCK.
 - FILL CONNECTOR WITH RTV TO THE TOP OF THE CAVITY, INSURE RTV FILLS ALL CORNERS.
 - PLUG IS IP67 RATED (INGRESS PROTECTION IMMERSED UP TO 1 METER).
 - PLUG IS SHIPPED IN A BAG WITH A LABEL ON THE BAG INCLUDING ITS DESCRIPTION AND P/N.