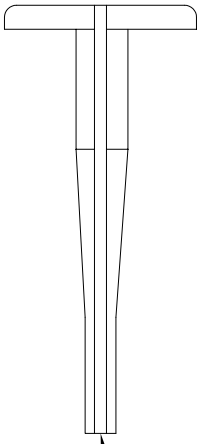
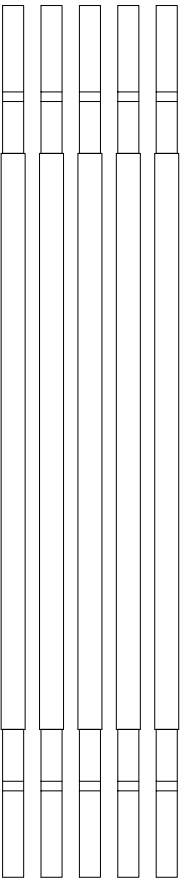
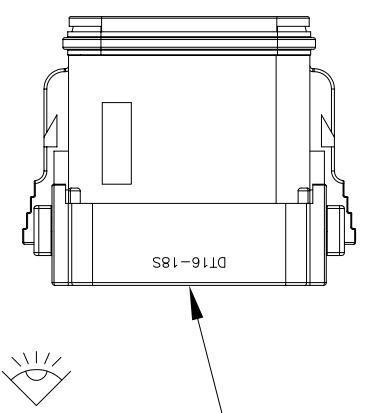
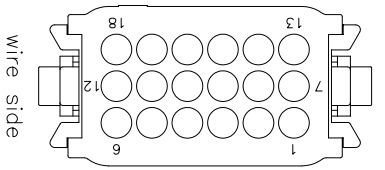


DATE	SYM	REVISION RECORD	BY:	DCN
AUG 24 16 A	A	RELEASE TO PRODUCTION	SCS	D943
-	-	-	-	-
-	-	-	-	-



NOTES:  
1. PARTS TO BE SHIPPED IN A BAG WITH A LABEL ON IT.

ITEM NO.	PART NO.	DESCRIPTION	QTY.
1.	134-1010-01618	DEUTSCH DT16-18SA	1
2.	134-9997-07000	DEUTSCH SEALING PLUG 114017	12
3.	34042-406	ADDRESSING JUMPER (5 PACK)	1
4.	134-1980-00600	DEUTSCH 0411-336-1605 REMOVAL TOOL SIZE 16	1
5.	-	-	-

**DATA PANEL CORP.**

TOLERANCES EXCEPT NOTED			
DECIMAL	± .010	FRACTIONAL	± 1/32
ANGULAR	± 1°		
DATA PANEL CORPORATION CLAIMS ALL PROPRIETARY RIGHTS TO THIS DRAWING AND THE INFORMATION IT CONTAINS. THIS MATERIAL IS CONFIDENTIAL. DISCLOSURE, REPRODUCTION, AND MANUFACTURING IS STRICTLY PROHIBITED WITHOUT THE EXPRESS WRITTEN PERMISSION OF DATA PANEL CORPORATION. ALL RIGHTS OF DESIGN OR INVENTION ARE RESERVED.			
CUSTOMER:	XXX		
MATL:	SEE NOTE		
FINISH:	SEE NOTE		
TITLE	SIZE	SCALE	DRAWN BY
CONNECTOR W/ADDRESSING JUMPER KIT	A	NTS	SCS
DATE	DRAWING NUMBER	APP. BY	REV.
AUG 24 16	34042-405		A

