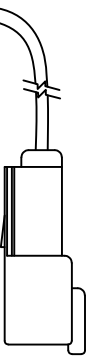
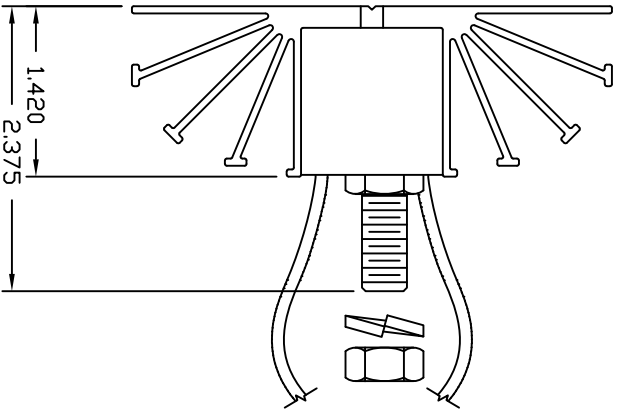
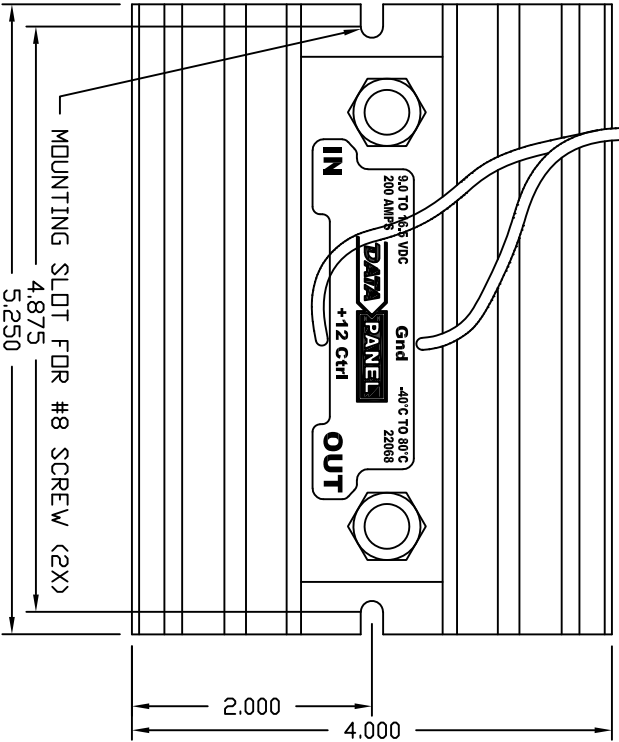


DEUTSCH DT04-2P OR EQUAL
 WEDGE LOCK: W2P
 PINS: 0460-215-16141
 PIN 1: +12 Ctrl
 PIN 2: Gnd
 WIRE LENGTH: 6 INCHES

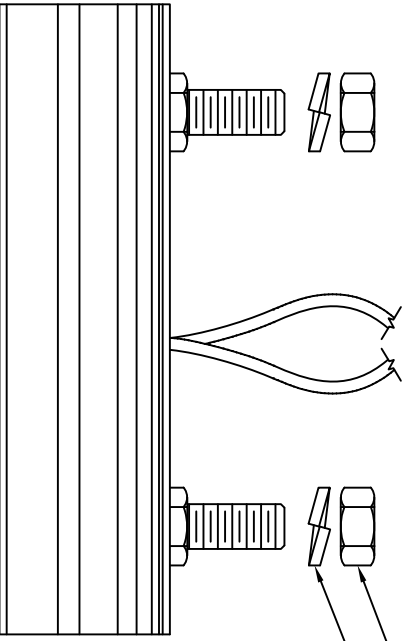


MATES WITH:
 DEUTSCH DT06-2S OR EQUAL
 WEDGE LOCK: W2S
 SOCKETS: 0462-209-16141

DATE	SYM	REVISION RECORD	BY:	DCN
09/23/10	E	CONNECTOR SOCKET MATE PINS	-	C440
SEP 8 17	F	UPDATE DWG TO ONE SHEET	SCS	E224
JAN 28 20	G	REVISED LABEL SHAPE	SCS	F171
-	-	-	-	-
-	-	-	-	-
07/26/10	D	REVISED NOTES	-	C396



3/8-16 HEX NUT 034-11814 (2X)
 3/8 LOCK WASHER 035-11843 (2X)



NOTE:

- UNLESS SPECIFIED OTHERWISE MAX RATING AT 25°C WITH Vdc (BATTERY) = 12.5 Vdc
- MAX CURRENT 200 A
- MAX INRUSH 500 A 1.0 SEC
- MAX VOLTAGE DROP AT 150 A = 0.350 Vdc
- +12 CTRL INPUT
 OFF: OPEN
 ON: 9.0 Vdc MIN
 ON: 16.5 Vdc MAX
 ON: 125 mamp MAX
- CONTROL CIRCUIT REVERSE BATTERY PROTECTION
- INTERNAL DIODE PROTECTION FOR +12 CTRL AND GND INPUTS
- INDUCTIVE LOAD SWITCHING SWITCHING TIME AT 150 A
 T (ON) = 50mSec TYP
 T (OFF) = 150mSec TYP
- WEIGHT: 1.5 POUNDS TYP.
- METAL IS ANODIZED BLACK.
- LABEL BACKGROUND IS WHITE.
- LABEL TEXT IS BLACK.
- LABEL LOGO IS BLUE.
- WHEN INSTALLING SWITCH, MAKE GROUND CONNECTIONS FIRST.
- TORQUE CABLE NUTS TO 12 FT/LBS MAX.

TOLERANCES
 EXCEPT
 NOTED

- DECIMAL ± .010
- FRACTIONAL ± 1/32
- ANGULAR ± 1°

DATA PANEL CORPORATION CLAIMS ALL THE INFORMATION IT CONTAINS, THIS MATERIAL IS CONFIDENTIAL, DISCLOSURE, REPRODUCTION, AND MANUFACTURING IS STRICTLY PROHIBITED WITHOUT THE EXPRESS WRITTEN PERMISSION OF DATA PANEL CORPORATION. ALL RIGHTS OF DESIGN OR INVENTION ARE RESERVED.

DATA PANEL CORP.

CUSTOMER: XXX

MATL: SEE NOTE	SIZE	SCALE	DRAWN BY	KG
FINISH: SEE NOTE	A	NTS	APP. BY	

HIGH CURRENT SWITCH (200 AMP)

DATE	DRAWING NUMBER	REV.
9/4/02	22068	G

