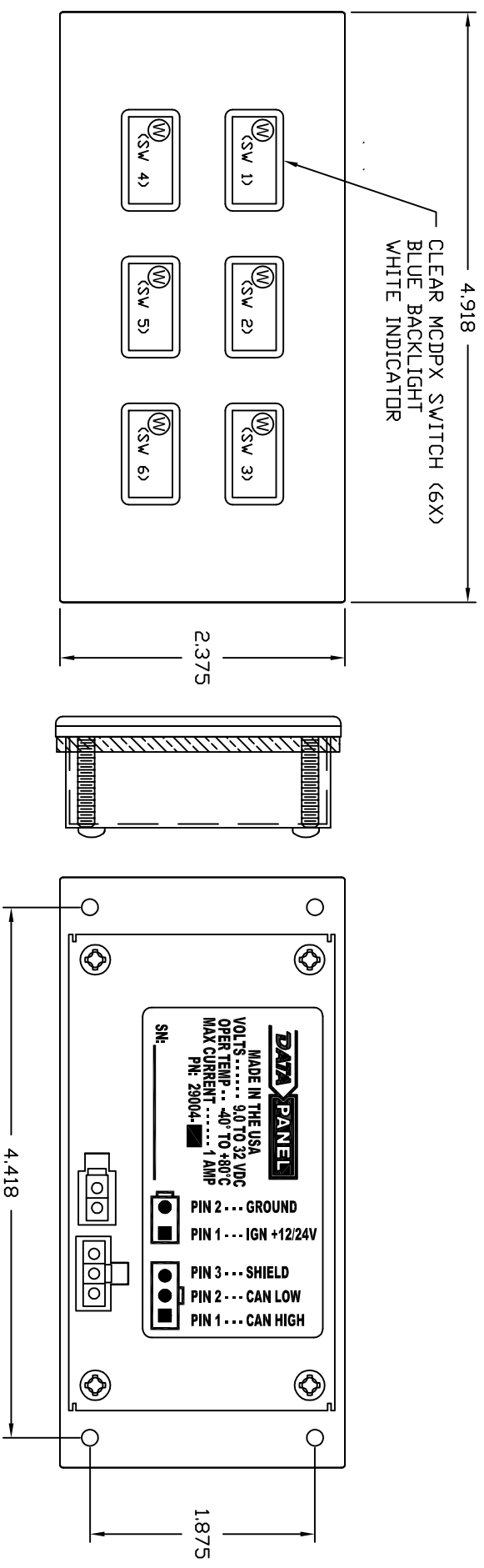


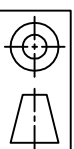
DATE	SYM	REVISION RECORD	BY:	DCN
FEB 7 17	A	RELEASE TO PRODUCTION	SCS	E055
MAY 24 17	B	PICK UP REDLINES	SCS	E137



- NOTE:
1. SEE 29004-102 FOR ASSEMBLY INSTRUCTIONS.
  2. GRAPHIC BACKGROUND IS BLACK.
  3. GRAPHIC IS POLYDOWMED.

TOLERANCES			
EXCEPT	NOTED	DECIMAL	FRACTIONAL
		± .010	± 1/32
		± .03	± 1/16
			ANGULAR ± 1°

<b>DATA PANEL CORP.</b>		CUSTOMER: N/A	SIZE: A	SCALE: NTS	DRAWN BY: SCS
		MATL: N/A			
		FINISH: N/A			
		TITLE: 2 X 3 MCDPX SWITCH PNL, WIDE			
DATE: OCT 15 13	DRAWING NUMBER: 29004-2				REV: B



DATA PANEL CORPORATION CLAIMS ALL PROPRIETARY RIGHTS TO THIS DRAWING AND THE INFORMATION IT CONTAINS. THIS MATERIAL IS CONFIDENTIAL. DISCLOSURE, REPRODUCTION, AND MANUFACTURING IS STRICTLY PROHIBITED WITHOUT THE EXPRESS WRITTEN PERMISSION OF DATA PANEL CORPORATION. ALL RIGHTS OF DESIGN OR INVENTION ARE RESERVED.