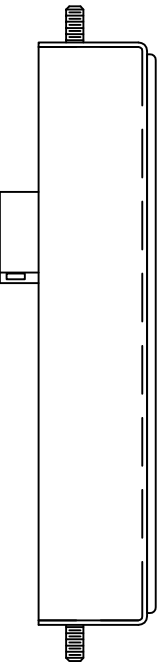
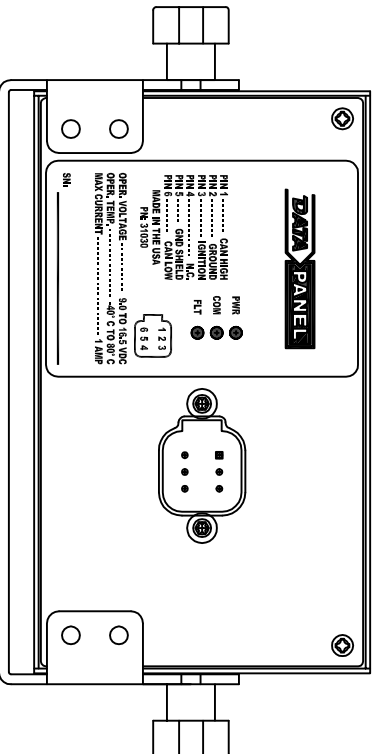
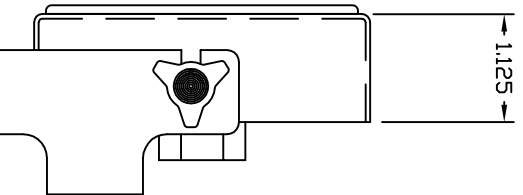
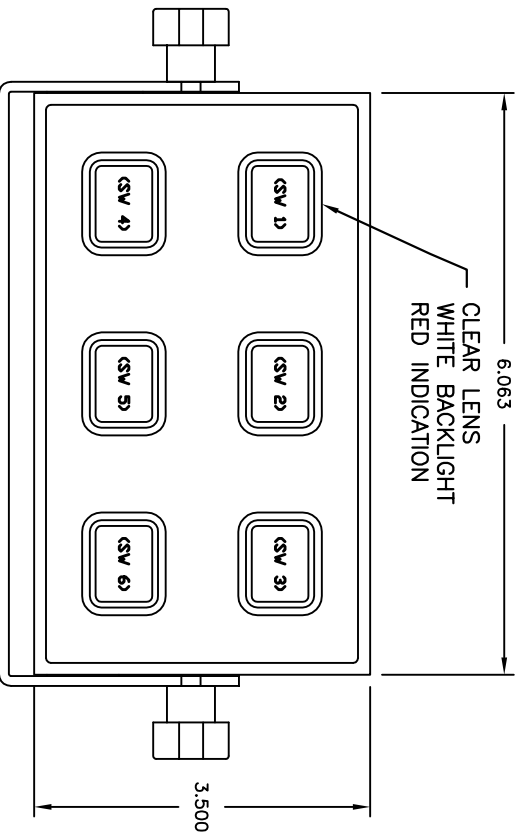


DATE	SYM	REVISION RECORD	BY:	DCN
DEC 10 14	A	RELEASE TO PRODUCTION	SCS	D510
MAY 30 17	B	PICKED UP REDLINES	SCS	E141



- NOTE:
1. SEE 31030-100 FOR ASSEMBLY INSTRUCTIONS.
 2. GRAPHIC BACKGROUND IS BLACK.
 3. GRAPHIC IS POLYDOMED.
 4. BRACKET NOT SHOWN IN ALL VIEWS FOR CLARITY.

DATA PANEL CORP.

CUSTOMER: XXXX

MATERIAL: SEE NOTE

FINISH: SEE NOTE

TITLES: SWITCH PANEL 6 POS

DATE: DEC 10 14

DRAWING NUMBER: 31030

REV: B

SIZE: A

SCALE: NTS

DRAWN BY: SCS

APP. BY:

ANGULAR: ± 1°

FRACTIONAL: ± 1/32

DECIMAL: ± .010

± .03

TOLERANCES EXCEPT AS NOTED

DATA PANEL CORPORATION CLAIMS ALL PROPRIETARY RIGHTS TO THIS DRAWING AND THE INFORMATION IT CONTAINS. THIS MATERIAL IS CONFIDENTIAL. DISCLOSURE, REPRODUCTION, AND MANUFACTURING IS STRICTLY PROHIBITED WITHOUT THE EXPRESS WRITTEN PERMISSION OF DATA PANEL CORPORATION. ALL RIGHTS OF DESIGN OR INVENTION ARE RESERVED.