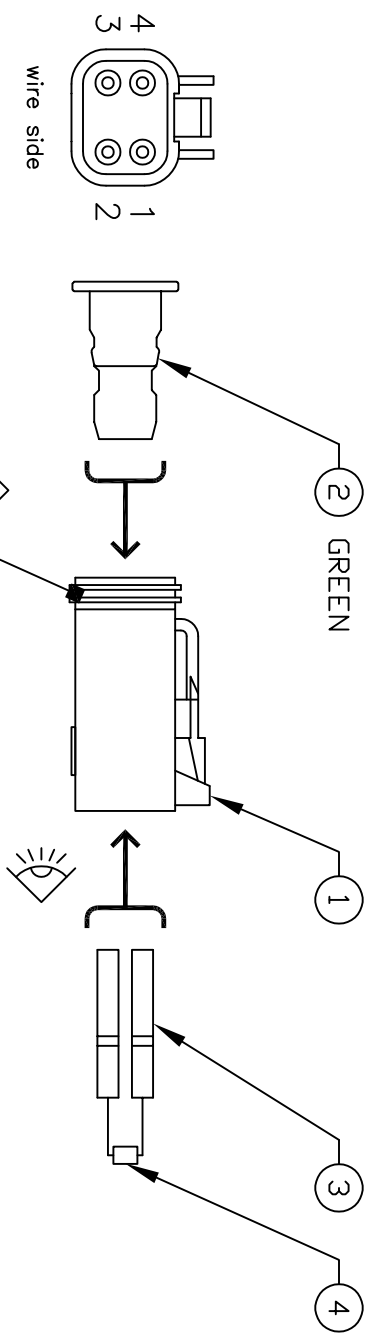
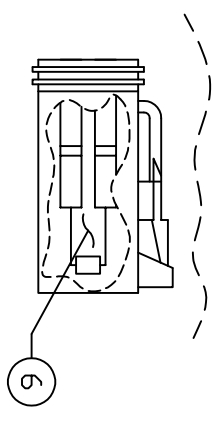


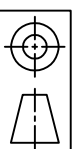
DATE	SYM	REVISION RECORD	BY:	DCN
APR 11 16 A	A	RELEASE TO PRODUCTION	SCS	D857
JUL 20 16 B	B	UPDATES TO NOTES & LABEL SIZE	SCS	D919
SEP 15 16 C	C	CHANGE WEDGELDCK TO GREEN	SCS	D963
MAR 29 17 D	D	UPDATE WEDGELDCK PN	SCS	E094
NOV 11 20 E	E	REMOVE TWD SOCKETS	SCS	F428



J1	DESCRIPTION
1	-
2	RESISTOR
3	-
4	RESISTOR



- NOTES:
- REMOVE THE RUBBER GASKET FROM INSIDE THE CONNECTOR AND DISCARD THIS RUBBER GASKET.
  - DO NOT REMOVE THE OUTSIDE GASKET!
  - ASSEMBLE SOCKETS TO THE RESISTOR, CONFIRM LENGTH OF RESISTOR LEADS BEFORE CRIMPING, RESISTOR HAS TO BE FULLY COVERED WITH RTV AFTER ASSEMBLY.
  - ASSEMBLE RESISTOR-SOCKETS TO LOCATIONS 2 AND 4.
  - LOCATIONS 1 AND 3 DO NOT HAVE SOCKETS ASSEMBLED IN THEM.
  - ASSEMBLE WEDGELDCK.
  - ELECTRICAL TEST UNIT.
  - FILL CONNECTOR WITH RTV TO THE TOP OF THE CAVITY, INSURE RTV FILLS ALL CORNERS.
  - PLUG IS IP67 RATED (INGRESS PROTECTION IMMERSED UP TO 1 METER), ASSEMBLE LABEL. NOTE DIMENSION, ANY FURTHER AND LABEL COULD INTERFERE WITH MATING RECEPTACLE.
  - PLUG IS SHIPPED IN A BAG WITH A LABEL ON THE BAG INCLUDING ITS DESCRIPTION AND P/N.



ITEM NO.	PART NO.	DESCRIPTION	QTY.
1.	134-1010-00604	DEUTSCH D106-4S-E004 (BLACK)	1
2.	134-1620-0C004	DEUTSCH VAS-P012 GREEN WEDGELDCK	1
3.	134-0850-K0600	DEUTSCH 0462-201-16141 SOCKET	2
4.	070-1200-1J1	RESISTOR, 120 OHM 5%	1
5.	-	-	-
6.	117-125	RTV, BLACK	.001
7.	34042-350	LABEL *1*	1
8.	-	-	-
9.	-	-	-
10.	-	-	-

TOLERANCES			
EXCEPT NOTED	DECIMAL	FRACTIONAL	ANGULAR
	± .010	± 1/32	± 1°
	± .03		

DATA PANEL CORP.			
CUSTOMER: XXX			
DATE	DATE	DRAWING NUMBER	REV.
APR 11 16	APR 11 16	34042-402	E

DATA PANEL CORPORATION CLAIMS ALL PROPRIETARY RIGHTS TO THIS DRAWING AND THE INFORMATION IT CONTAINS. THIS MATERIAL IS CONFIDENTIAL. DISCLOSURE, REPRODUCTION, AND MANUFACTURING IS STRICTLY PROHIBITED WITHOUT THE EXPRESS WRITTEN PERMISSION OF DATA PANEL CORPORATION. ALL RIGHTS OF DESIGN OR INVENTION ARE RESERVED.