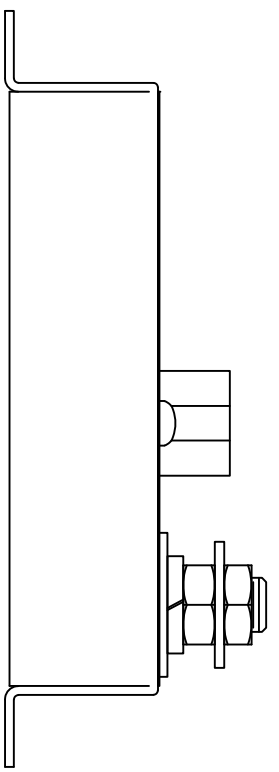
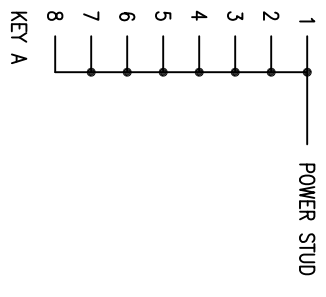
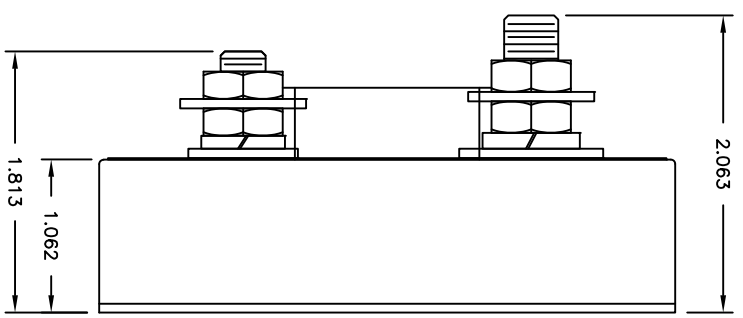
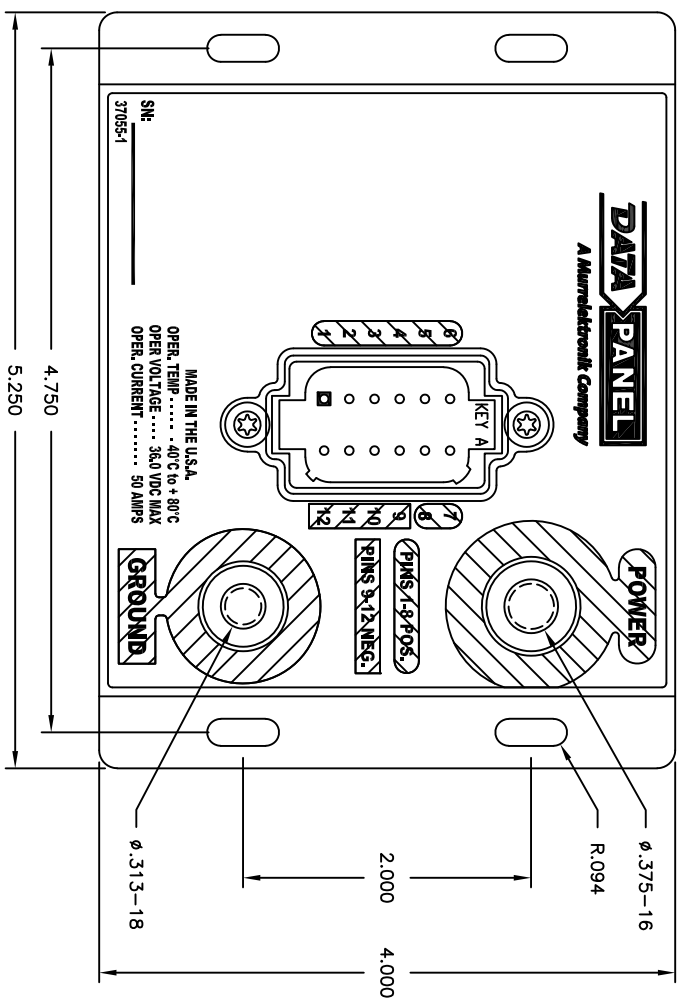
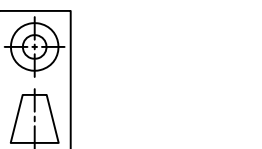


DATE	SYM	REVISION RECORD	BY:	DCN
AUG 17 17	A	RELEASE TO PRODUCTION	SCS	E213
NOV 16 18	A	CHANGE LOGO TO DP	SCS	E647
-	-	-	-	-



- NOTE:
1. GRAPHIC BACKGROUND IS BLACK 121-001.
 2. MURR ELEKTRONIK LOGO IS GREEN 121-167 (PMS 361C).
 3. OVALS ARE RED 121-049 WITH BLACK TEXT.
 4. RECTANGLES ARE GRAY 121-091 WITH BLACK TEXT.
 5. ALL OTHER TEXT IS WHITE 121-002.
 6. SEE 37055-101 FOR ASSEMBLY INSTRUCTIONS.
 7. DEUTSCH CONNECTOR: DT15-12PA.



TOLERANCES
EXCEPT
NOTED

DECIMAL ± .010
FRACTIONAL ± 1/32
ANGULAR ± 1°

DATA PANEL CORPORATION CLAIMS ALL
PROPRIETARY RIGHTS TO THIS DRAWING AND
THE INFORMATION IT CONTAINS. THIS
DRAWING IS CONFIDENTIAL. DISCLOSURE,
REPRODUCTION, AND MANUFACTURING IS
STRICTLY PROHIBITED WITHOUT THE EXPRESS
WRITTEN PERMISSION OF DATA PANEL
CORPORATION. ALL RIGHTS OF DESIGN OR
INVENTION ARE RESERVED.

DATA PANEL CORP.			
CUSTOMER: X			
MATL: SEE NOTE	SIZE: A	SCALE: NTS	DRAWN BY: SCS
FINISH: SEE NOTE			APP. BY:
TITLE: DEUTCH POWER SPLITTER			
DATE: AUG 17 17	DRAWING NUMBER: 37055-1		REV. B