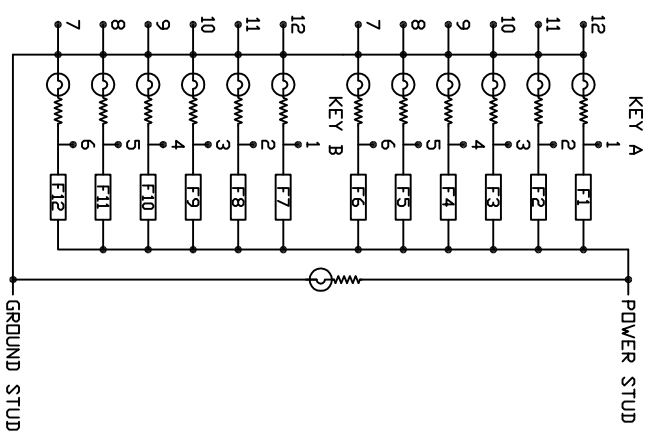
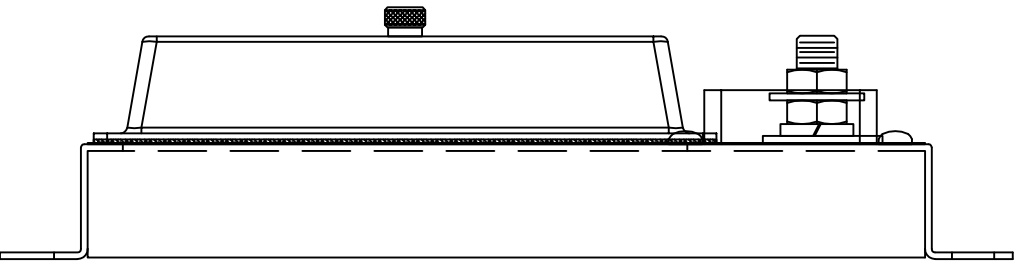
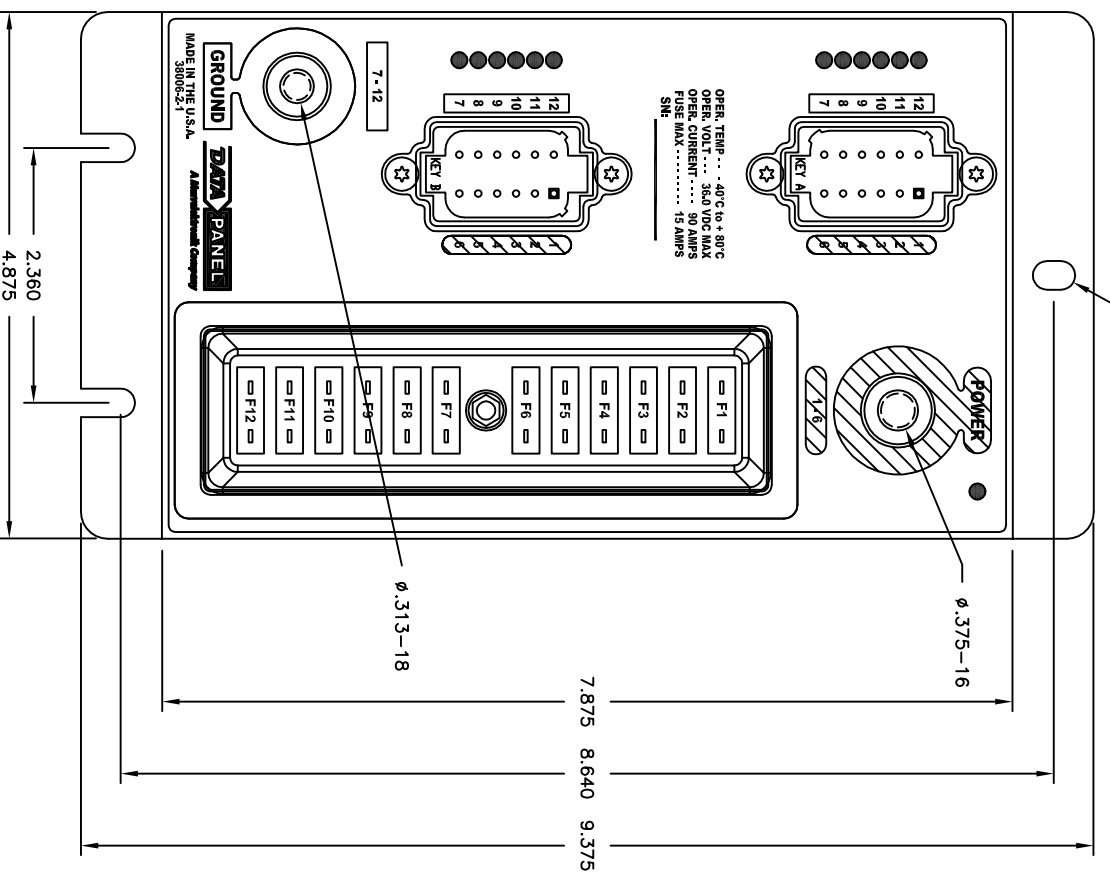


DATE	SYM	REVISION RECORD	BY:	DCN
SEP 26 18	A	RELEASE TO PRODUCTION	SCS	E600
DEC 5 18	B	UPDATE DP P/N	SCS	E669
JAN 3 19	C	CHANGE ACCESS COVER TO CLEAR SCS	SCS	E702
SEP 26 19	D	UPDATE LOGO, CHANGE PN LOCATION	SCS	F033



- NOTE:
- SEE 38006-102-1 FOR ASSEMBLY INSTRUCTIONS.
 - GRAPHIC BACKGROUND IS BLACK 121-001.
 - LOGO IS WHITE 121-002.
 -
 - DVALS ARE RED 121-173 (PANTONE 485) WITH BLACK TEXT.
 - RECTANGLES ARE GRAY 121-091 WITH BLACK TEXT.
 - ALL OTHER TEXT IS WHITE 121-002.
 - ACCESS COVER IS CLEAR PLOLYCARBONATE.
 - CASE IS ALUMINUM, ANDIZED BLACK.
 - DEUTSCH CONNECTOR: DT15-12PA DT15-12PB
 - 15 AMP FUSE MAX. FUSES ARE NOT INCLUDED.
 - UNIT IS RATED IP67.

DATA PANEL CORP.

CUSTOMER: X

MATL: SEE NOTE

FINISH: SEE NOTE

TITLE: PWR SPLITTER, FUSED W/LEDS

DATE: JAN 30 18

DRAWING NUMBER: 38006-2-1

REV: D

SIZE: A

SCALE: NTS

DRAWN BY: SCS

APP. BY:

TOLERANCES EXCEPT NOTED: DECIMAL ± .010, FRACTIONAL ± 1/32, ANGULAR ± 1°

DATA PANEL CORPORATION CLAIMS ALL PROPRIETARY RIGHTS TO THIS DRAWING AND THE INFORMATION IT CONTAINS. THIS MATERIAL IS CONFIDENTIAL. DISCLOSURE, REPRODUCTION, AND MANUFACTURING IS STRICTLY PROHIBITED WITHOUT THE EXPRESS WRITTEN PERMISSION OF DATA PANEL CORPORATION. ALL RIGHTS OF DESIGN OR INVENTION ARE RESERVED.

