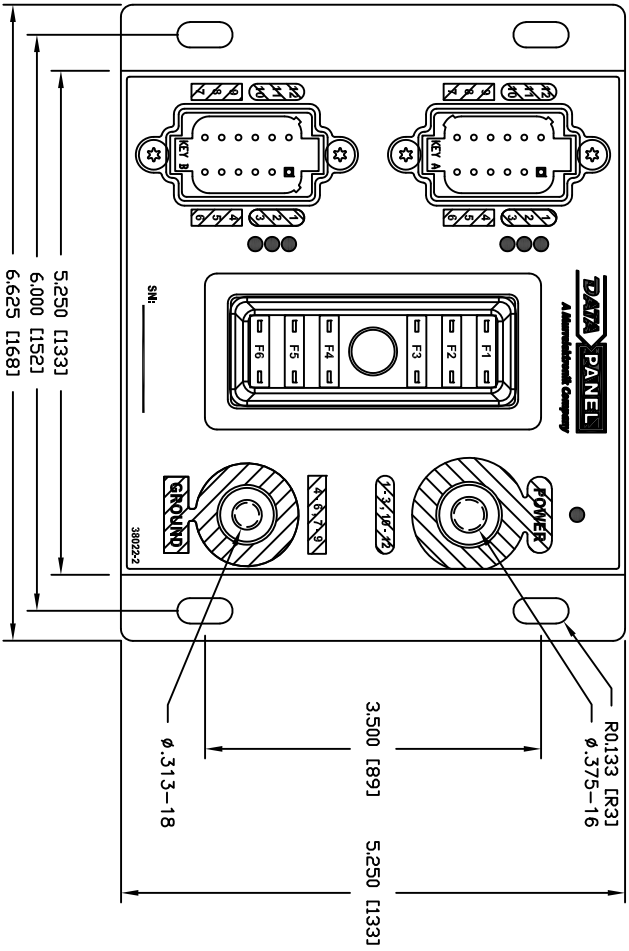
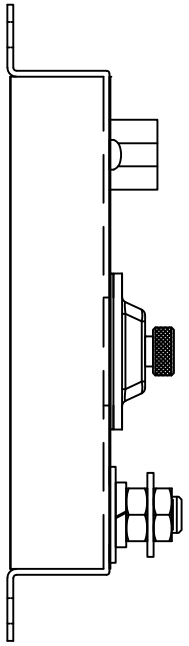
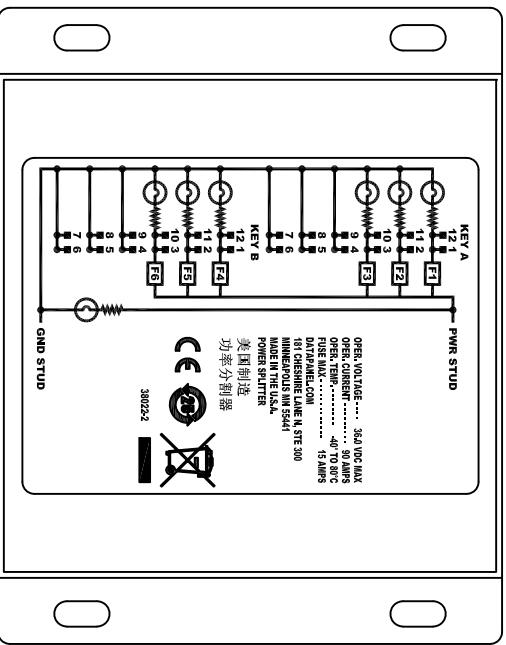
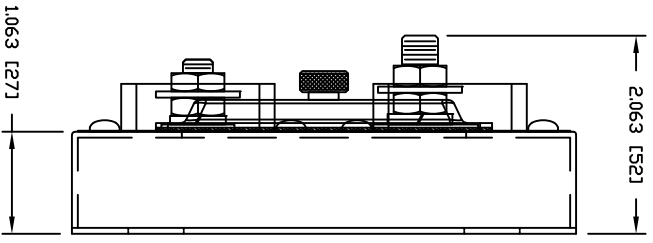


JUL 28 20	F	MODIFY GRAPHICS, ADD REAR LABEL	SCS	F268	DATE	SYM	REVISION RECORD	BY:	DCN
JUN 15 18	A	RELEASE TO PRODUCTION	SCS	E505					
JUL 23 18	B	UPDATE LOGO	SCS	E532					
AUG 31 18	C	UPDATE ACCESS COVER	SCS	E555					
SEP 17 18	D	ADD CAPTIVE WASHER	SCS	E587					
JAN 3 19	E	ADD NOTE FOR ACCESS COVER CLARITY	SCS	E702					

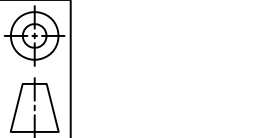


FUSE COVER IS SHOWN AS CLEAR FOR ILLUSTRATION PURPOSES ONLY, ACTUAL COVER IS BLACK.



NOTE:

- UNIT IS ROHS.
- SEE 38022-102 FOR ASSEMBLY INSTRUCTIONS.
- GRAPHIC BACKGROUND IS BLACK 121-001.
- DATA PANEL LOGO IS WHITE.
- DVALS ARE RED 121-049 WITH BLACK TEXT.
- RECTANGLES ARE GRAY 121-171 WITH BLACK TEXT.
- ALL OTHER TEXT IS WHITE 121-002.
- DEUTSCH CONNECTOR: DT15-12PA AND DT15-12PB.
- FUSE COVER IS BLACK ABS.
- CASE IS ALUMINUM, ANODIZED BLACK.
- COVER THUMB SCREW IS 8-32.
- MOUNTING HOLES FOR .25" SCREWS (4X).
- 15 AMP FUSE MAX. FUSES ARE NOT INCLUDED.



TOLERANCES
EXCEPT
NOTED

DECIMAL ± .010"
FRACTIONAL ± 1/32
ANGULAR ± 1°

DATA PANEL CORPORATION CLAIMS ALL PROPRIETARY RIGHTS TO THIS DRAWING AND THE INFORMATION IT CONTAINS. THIS MATERIAL IS CONFIDENTIAL. DISCLOSURE, REPRODUCTION, AND MANUFACTURING IS STRICTLY PROHIBITED WITHOUT THE EXPRESS WRITTEN PERMISSION OF DATA PANEL CORPORATION. ALL RIGHTS OF DESIGN OR INVENTION ARE RESERVED.

DATA PANEL CORP.			
CUSTOMER: X			
DATE	DRAWING NUMBER	SCALE	DRAWN BY
APR 18 18	38022-2	A	SCS
TITLE		SIZE	SCALE
PWR SPLITTER, FUSED, LEADS		A	NTS
MNT: SEE NOTE		APP.	BY
FINISH: SEE NOTE			
REV.			
F			