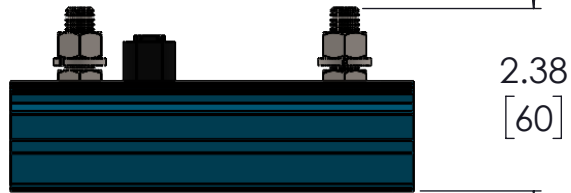
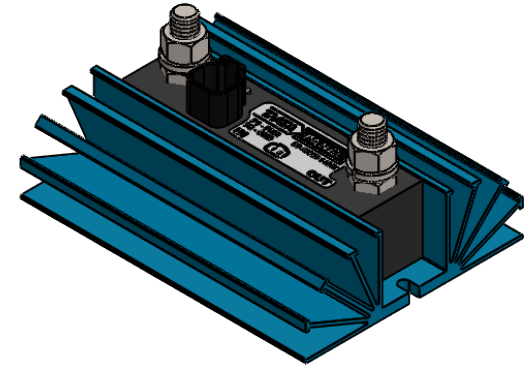
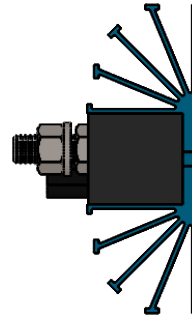
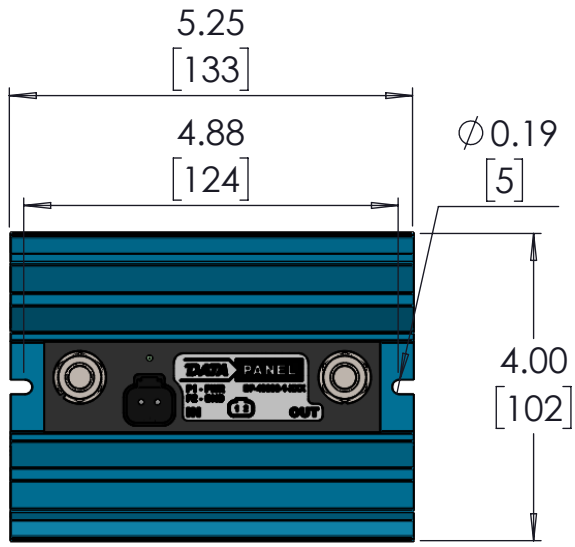
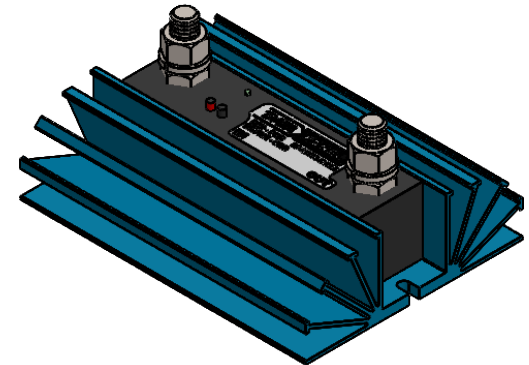
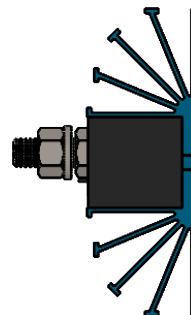
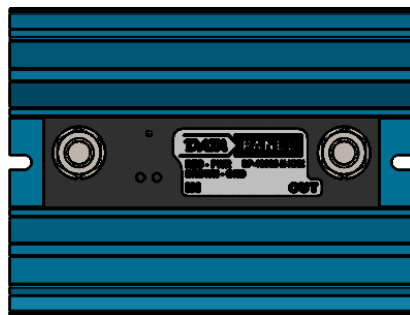


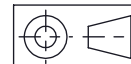
DATE	SYM	REVISION RECORD	BY:	DCN
JAN 27 2021	X1	X	SCS	



DP-40003-1-XXX Deutsch 2 pin



DP-40003-2-XXX Blunt cut wire
DP-40003-3-XXX 2 pin molded female



DATA PANEL CORPORATION CLAIMS ALL PROPRIETARY RIGHTS TO THIS DRAWING AND THE INFORMATION IT CONTAINS. THIS MATERIAL IS CONFIDENTIAL, DISCLOSURE, REPRODUCTION, AND MANUFACTURING IS EXPRESSLY PROHIBITED WITHOUT THE EXPRESS WRITTEN PERMISSION OF DATA PANEL CORPORATION. ALL RIGHTS OF DESIGN OR INVENTION ARE RESERVED.	TOLERANCES		DATA PANEL CORP. CUSTOMER: XXXX			
	EXCEPT WHERE NOTED	DECIMAL				± .010
	± .010	± .03	± 1/32	ANGULAR	± 1°	TITLE HIGH CURRENT SWITCH
	DATE	DRAWING NUMBER	REV.	JAN 25 2021 40003-X-XXX X1		