

MOBILE E-STOP

RUGGED E-STOP WITH OVERMOLDED DEUTSCH(R) CONNECTOR

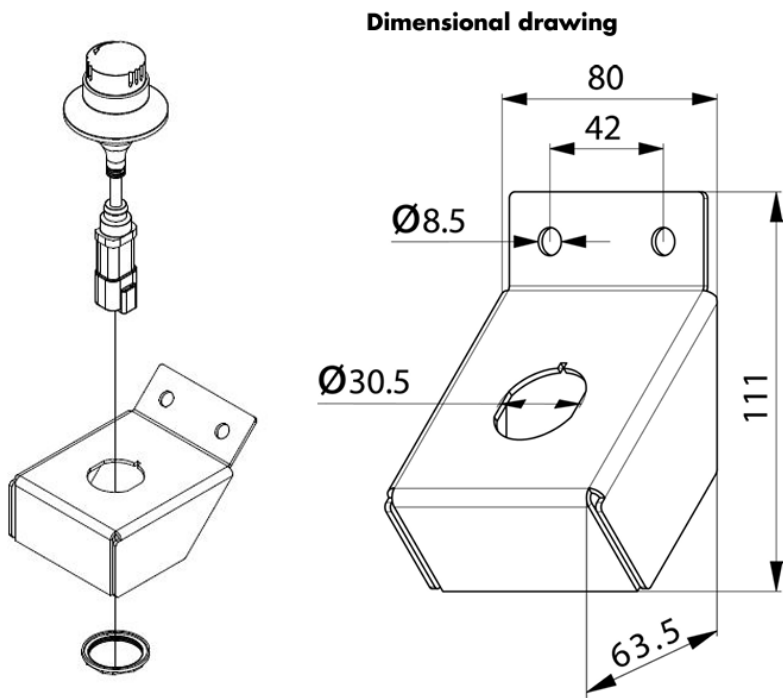


WHAT IS MOBILE E-STOP?

This product raises the standard with an overmolded, 4-pin DT DEUTSCH® plug connection. Its unique design ensures a secure and reliable connection, reducing the chances of failure during critical operations. This makes it an ideal choice for industries that prioritize safety and ruggedness. Additionally, its IP69K rating provides superior protection against dust, water, and high-pressure cleaning, ensuring long-lasting durability in even the harshest environments.

The robust construction of this emergency stop button not only ensures dependability but also offers seamless integration onto your equipment. Unlike traditional models, this product can be installed without the need of a panel, saving time and simplifying the design process. Its versatility and reliability make it an indispensable component for applications where dependability is essential, providing peace of mind in industries where equipment failure is not an option.





AT A GLANCE

- IP69K Sealing on the front side
- IP67 Sealing on the back side
- Over molded DEUTSCH® plug connection
- No Panel mount required
- Mounting Bracket Available
- Perfect solution for Mobile Applications

GENERAL DATA

E-STOP Part Number	DP-ESTOP-5690050
Approvals	CE, UKCA
Contact type	2 NC
Protection class	II (protective insulation)
Degree of protection	IP69k (front); IP67 (rear)
Operation travel	4.7 mm
Connection type	Connector: Deutsch DT04-4P with 4-wire connecting cable 0.75 mm ² , length 60 cm
Contact material	AgNi
Mechanical life	50,000 switching cycles
Electrical life (rated load)	50,000 switching cycles at rated load
Contact resistance NC	< 100 mOhm (new state)
Min. voltage	6 V AC/DC
Mounting Bracket Part Number	DP-KRMW130



ORDER FULFILLMENT WITH MURRELEKTRONIK

Data Panel Corporation is the mobile controls branch of Murrelektronik Inc., and orders of this product are fulfilled with the close cooperation of both companies. Visit www.murrinc.com to learn more about Murrelektronik.